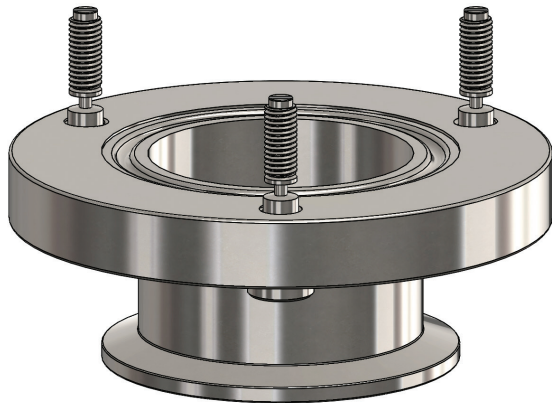


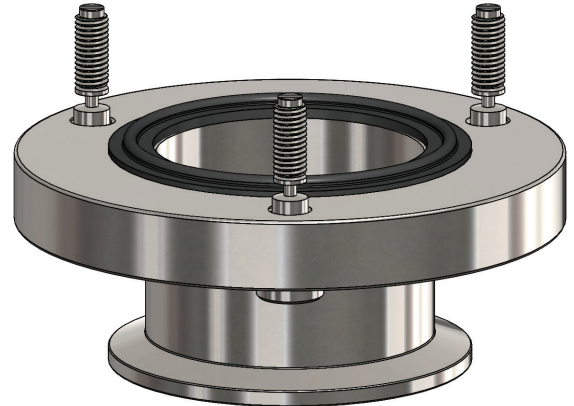


The Right Connection®

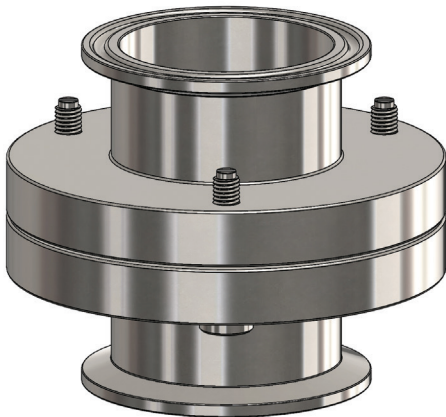
Breakaway Coupling Assembly



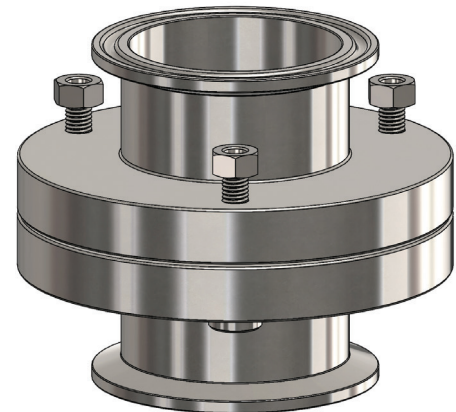
1. Thread in breakaway bolts, hand tight in body



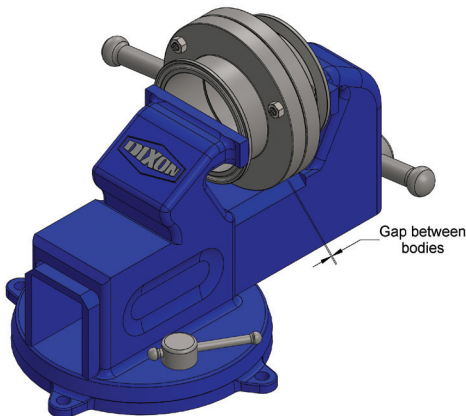
2. Place gasket on body



3. Place second body over bolts



4. Start nuts on bolts



5. Compress bodies together in vise to evenly reduce gap to 0.032 in (check with feeler gauge)

6. Apply threadlocker to bolts and hand tighten nuts

connect with us on
  

Dixon Sanitary

N25 W23040 Paul Road • Pewaukee, WI 53072
ph: 800.789.1718 • 262.513.6900 • fx: 800.789.4046 • 262.513.4904
dixonvalve.com

scan to visit our website



BREAKCPLASSBLY616_inhouse