

SPR-Series Pressure Relief Valve



Used as a safety valve to bypass fluids if the discharge on a positive displacement pump is closed with the pump still running. The valve will open and bypass both liquids and gas.

3A certified for Clean-Out-Of-Place.

Application

- They are found in the food processing, beverage, dairy, winery, brewery, pet products, and industrial markets.

Sizes

- 1-1/2" and 2"

Features

- Valve opens when the set pressure is reached to prevent excess pressure in piping or systems
- Valve body made from solid bar
- Low spare part cost

Specifications

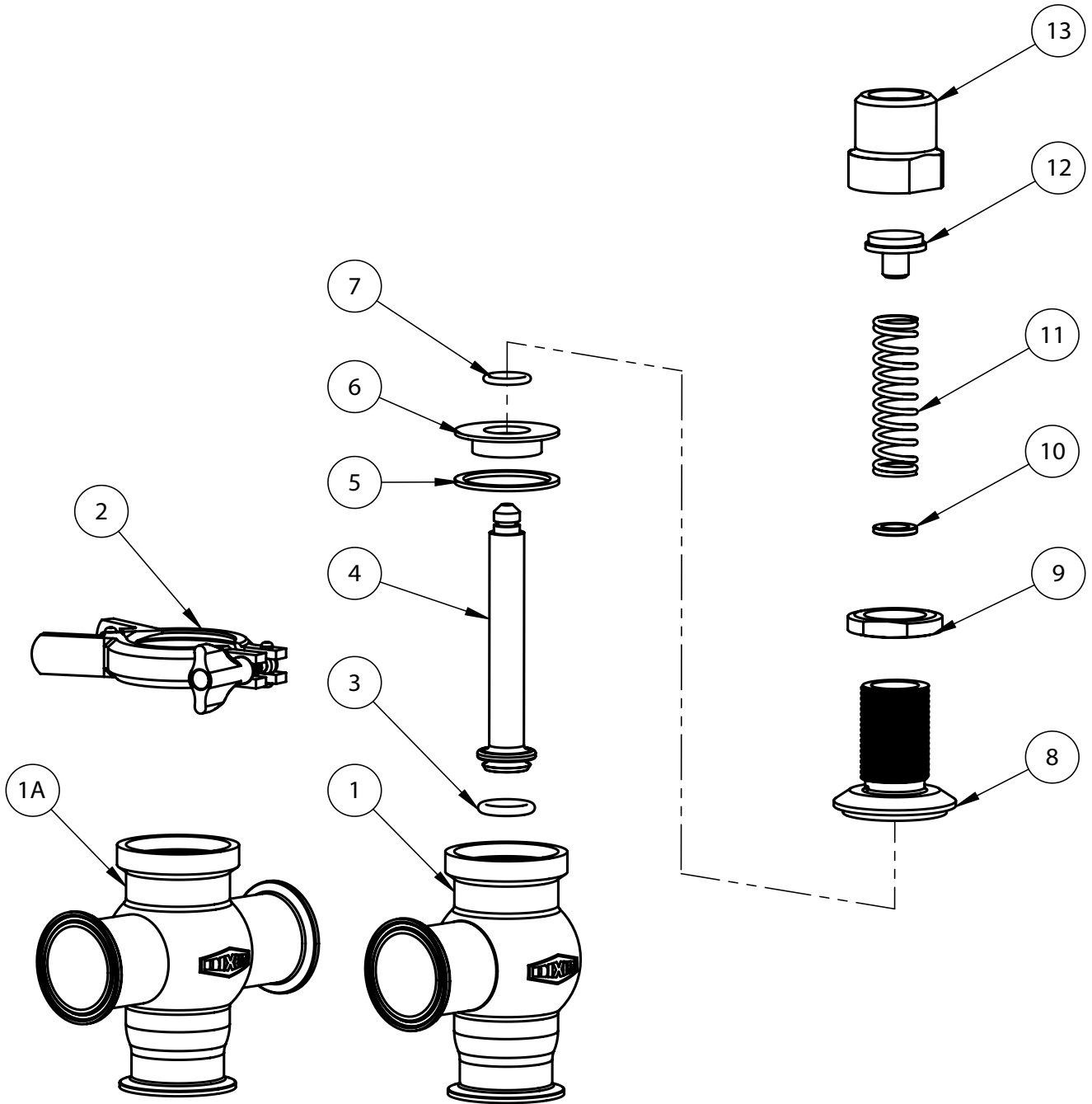
- Standard clamp connections
- Valve set pressure ranges
 - **10-49 PSI**
 - **50-99 PSI**
 - **100-300 PSI**
- Maximum operating temperature: **266°F (130°C)**
- Maximum sterilization temperature (20 minutes maximum): **300°F (148°C)**
- Materials of construction
 - Product contact metal components: 316L stainless steel
 - Non-product contact metal components: 304 stainless steel
 - Product contact seals: EPDM or FKM
- Surface finish
 - Product contact metal components: < 32 Ra on all product contact surfaces
 - Non-product contact metal components: > 32 Ra
 - Cleaning method: 3A certified for Clean-Out-Of-Place



SPR-Series Pressure Relief Valve - Part Number Key

SPR-Series Pressure Relief Valve Part Number Key Example: SPR-LCE1A150		Series	-	Body Style	Connection	Elastomer	Spring Set Range (PSI)	Size	Finish
		SPR	-	L	C	E	1A	150	
Series	Code								
SPR	SPR	←							
Body Style	Code								
L-Body style	L	←							
T-Body style	T								
Connection	Code								
Clamp	C	←							
Elastomer	Code								
EPDM	E	←							
FKM	V								
Spring Set Range	Code								
10 - 49 PSI	1A	←							
50 - 99 PSI	2A								
100 - 300 PSI	3A								
Size	Code								
1-1/2"	150	←							
2"	200								
Surface Finish	Code								
32 Ra	Blank	←							
25 Ra	B								
20 Ra	C								
15 Ra	D								

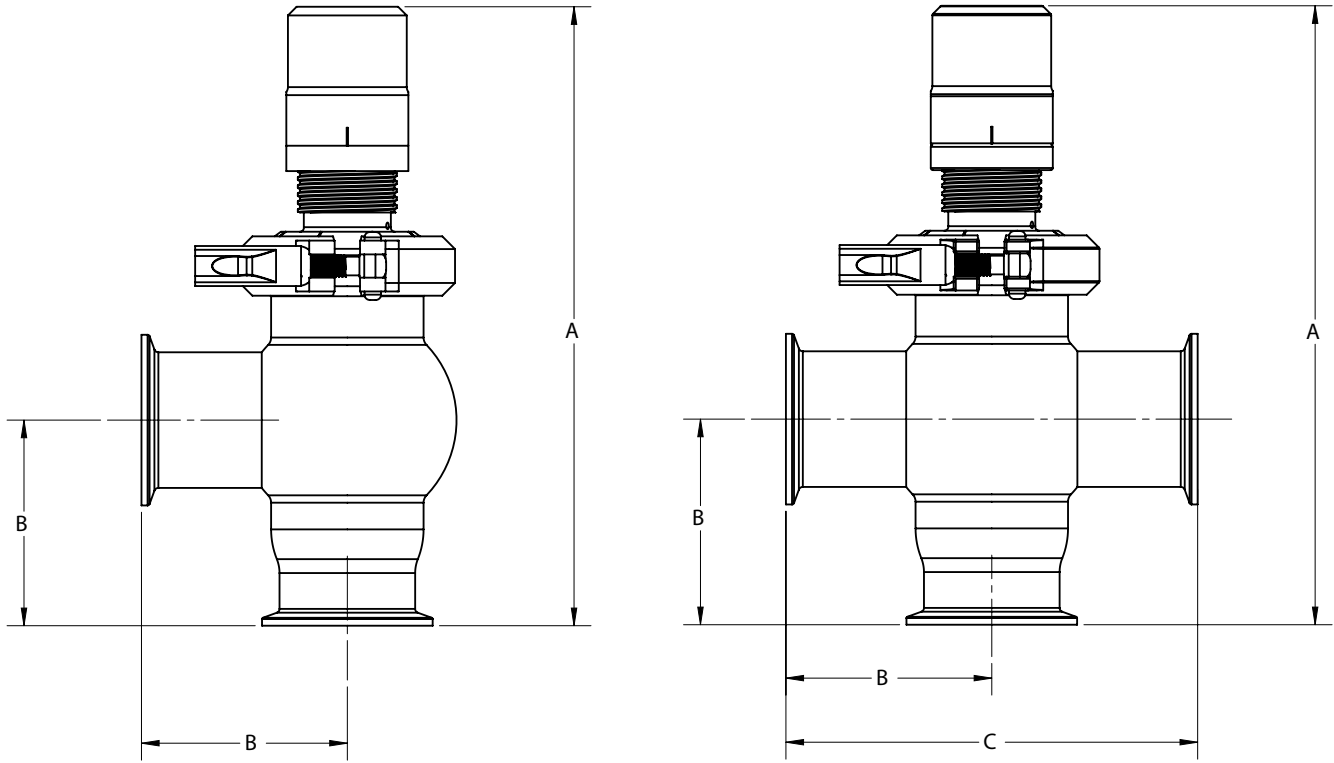
SPR-Series Pressure Relief Valve - Bill of Materials



SPR-Series Pressure Relief Valve - Bill of Materials

Item	SPR Size	Part #	Description	Material	Qty
1	1-1/2"	SPR-LBDY150	L-body	316L stainless steel	1
	2"	SPR-LBDY200			
1A	1-1/2"	SPR-TBDY150	T-body		1
	2"	SPR-TBDY200			
2	1-1/2"	13IL-Q100150	clamp	304 stainless steel	1
	2"	13IL-Q200			1
3	1-1/2" and 2"	SPR-SSE	seat seal	EPDM	1
		SPR-SSV		FKM	1
4	1-1/2"	SPR-STEM150	stem	316L stainless steel	1
	2"	SPR-STEM200			1
5	1-1/2"	40IE150	body gasket	EPDM	1
		40IV150		FKM	
	2"	40IE200		EPDM	
		40IV200		FKM	
6	1-1/2"	SPR-SH150	stem holder	316L stainless steel	1
	2"	SPR-SH200			
7	1-1/2" and 2"	SPR-SOE	stem O-ring	EPDM	1
		SPR-SOV		EPDM	
8	1-1/2"	SPR-ADPTR150	adapter	304 stainless steel	1
	2"	SPR-ADPTR200			
9	1-1/2" and 2"	SPR-LN	locking nut	304 stainless steel	1
10		SPR-WSHR	washer		1
11		SPR-S50	spring set (Code 1A)		1
11		SPR-S100	spring set (Code 2A)		1
11		SPR-S300	spring set (Code 3A)		1
12		SPR-TOPCAP	top cap		1
13		SPR-ADJSTCAP	adjustable cap		1

SPR-Series Pressure Relief Valve - Dimensions



Size	A (in)	B (in)	C (in)	Connection
1-1/2"	9.2	2.7	5.4	tri-clamp
2"	9.8	3.0	6.1	tri-clamp

Limited Warranty

DIXON VALVE & COUPLING COMPANY, LLC (herein called "Dixon") warrants the products described herein and manufactured by Dixon to be free from defects in material and workmanship for a period of one (1) year from date of shipment by Dixon under normal use and service. Its sole obligation under this warranty being limited to repairing or replacing, as hereinafter provided, at its option any product found to Dixon's satisfaction to be defective upon examination by it, provided that such product shall be returned for inspection to Dixon's factory within three (3) months after discovery of the defect. The repair or replacement of defective products will be made without charge for parts or labor. This warranty shall not apply to: (a) parts or products not manufactured by Dixon, the warranty of such items being limited to the actual warranty extended to Dixon by its supplier; (b) any product that has been subject to abuse, negligence, accident, or misapplication; (c) any product altered or repaired by others than Dixon; and (d) normal maintenance services and the replacement of service items (such as washers, gaskets, and lubricants) made in connection with such services. To the extent permitted by law, this limited warranty shall extend only to the buyer and any other person reasonably expected to use or consume the goods who is injured in person by any breach of the warranty. No action may be brought against Dixon for an alleged breach of warranty unless such action is instituted within one (1) year from the date the cause of action accrues. This limited warranty shall be construed and enforced to the fullest extent allowable by applicable law.

Other than the obligation of Dixon set forth herein, Dixon disclaims all warranties, express or implied, including but not limited to any implied warranties of merchantability or fitness for a particular purpose, and any other obligation or liability. The foregoing constitutes Dixon's sole obligation with respect to damages, whether direct, incidental, or consequential, resulting from the use or performance of the product.

Some products and sizes may be discontinued when stock is depleted or may require a minimum quantity for ordering.

Limits of Liability

This brochure is intended as a product offering. It is not intended to be a user or technical manual. Information in this brochure is subject to change without notice. All users and distributors of products sold through this brochure should contact Dixon with questions of use, compatibilities, coupling procedures, and life of product. Our full-time engineering and test staff are always available to recommend uses and to assist distributors and users with any questions.



Safety



Safety logos, which appear throughout our catalog, are used as a reminder that the user should carefully review for the appropriateness of the product for the media, application, and environment in which it will be used.

NOTE: Because of the health hazards associated with contamination and lead content in drinking water systems, Dixon couplings, unless otherwise specifically approved, are not recommended for potable water service and should not be used in applications where drinking water will contact the wetted surfaces of the coupling.

All Dixon products are shipped in cartons with the following warning:

"WARNING: This product contains lead, a chemical known to the State of California to cause cancer and birth defects or other reproductive harm."

Trademark

Delrin® and Zytel® are registered trademarks of E.I. duPont Nemours and Company.

Kalrez® is a registered trademark of DuPont Dow Elastomers.

All other trademarks appearing in the Dixon illustrated product list are the property of their respective owners.

Copyright

Copyright © 2023 by Dixon Valve & Coupling Company, LLC

All rights reserved. This book is copyrighted material. Use, reproduction or copying of it by anyone other than Dixon® is strictly forbidden without its express written consent.

NOTE: Reasonable care has been taken in preparing this catalog. Dixon Valve & Coupling Company, LLC reserves the right to make corrections.

