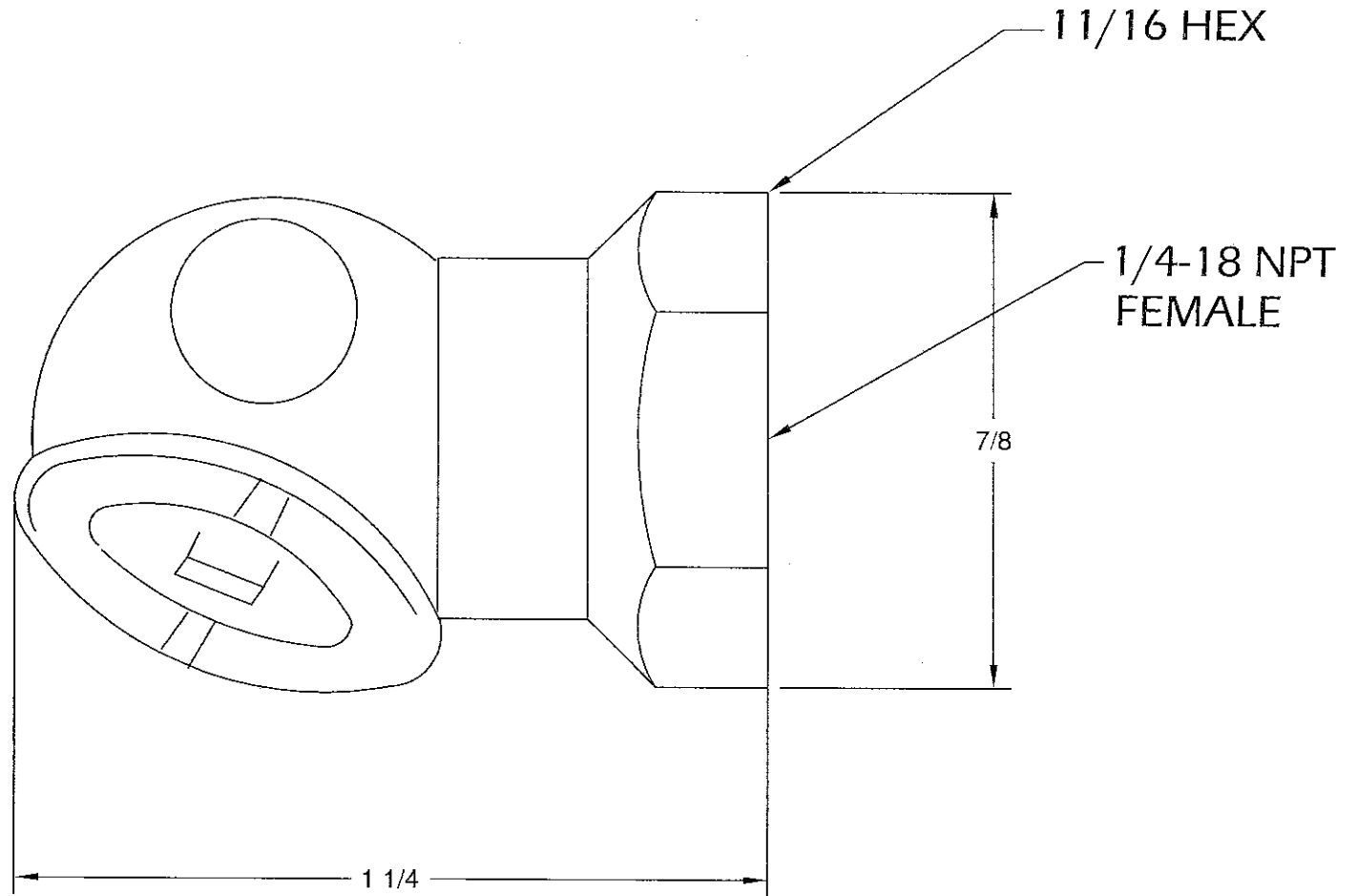


CHG	ECN #	DESCRIPTION	APP.	DATE	MATERIAL	BRASS	PART NO.	D104		
#	#	#	KS	11/17			NAME BALL FOOT CHUCK, CLOSED			
					HEAT TREAT		TOLERANCES UNLESS OTHERWISE SPECIFIED	SCALE	WEIGHT: xx	
					FINISH		DECIMALS $\begin{matrix} xxx = +/- .005 \\ .xx = +/- .01 \end{matrix}$	DRAWN		
							FRACTIONS $\pm 1/64$	CHECKED		
							ANGLES $\pm 1^\circ$	APPROVED		



T

D