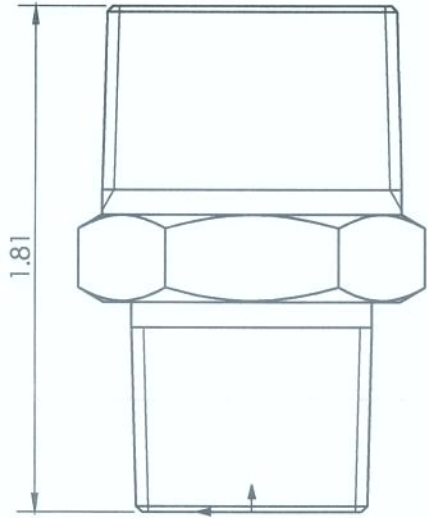
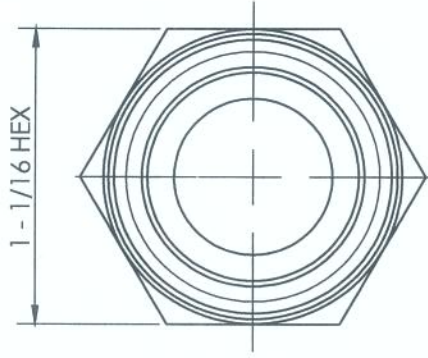
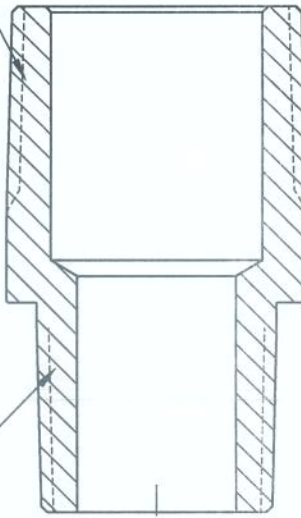


LINE DRAWING NOT FOR PRODUCTION PURPOSES



1/2 - 14 NPTF



MATERIAL 1 - 1/16 HEX ALLOY 360 BRASS

This drawing is owned by Dixon Valve & Coupling Co. and shall be returned upon demand. It is loaned on condition that it shall not be copied or reproduced or submitted to others without the owners consent. In accepting it, subject to this condition, the recipient further agrees that this drawing or any design detail or information contained herein is the property of Dixon Valve & Coupling Co. and shall be returned to the recipient does not agree to this terms of this agreement they shall return this drawing immediately. The information contained in this drawing is subject to change without notice.

 The Right Connection SM	DATE	8/24/17
	APPROVED	HENRY B.
Dixon Brass Westmont, Illinois USA		ECO NO.

DO NOT SCALE THIS DRAWING	
TITLE:	3/4 X 1/2 MALE HEX REDUCER NIPPLE
SIZE	A
DWG. NO.	3791208C
REV	A