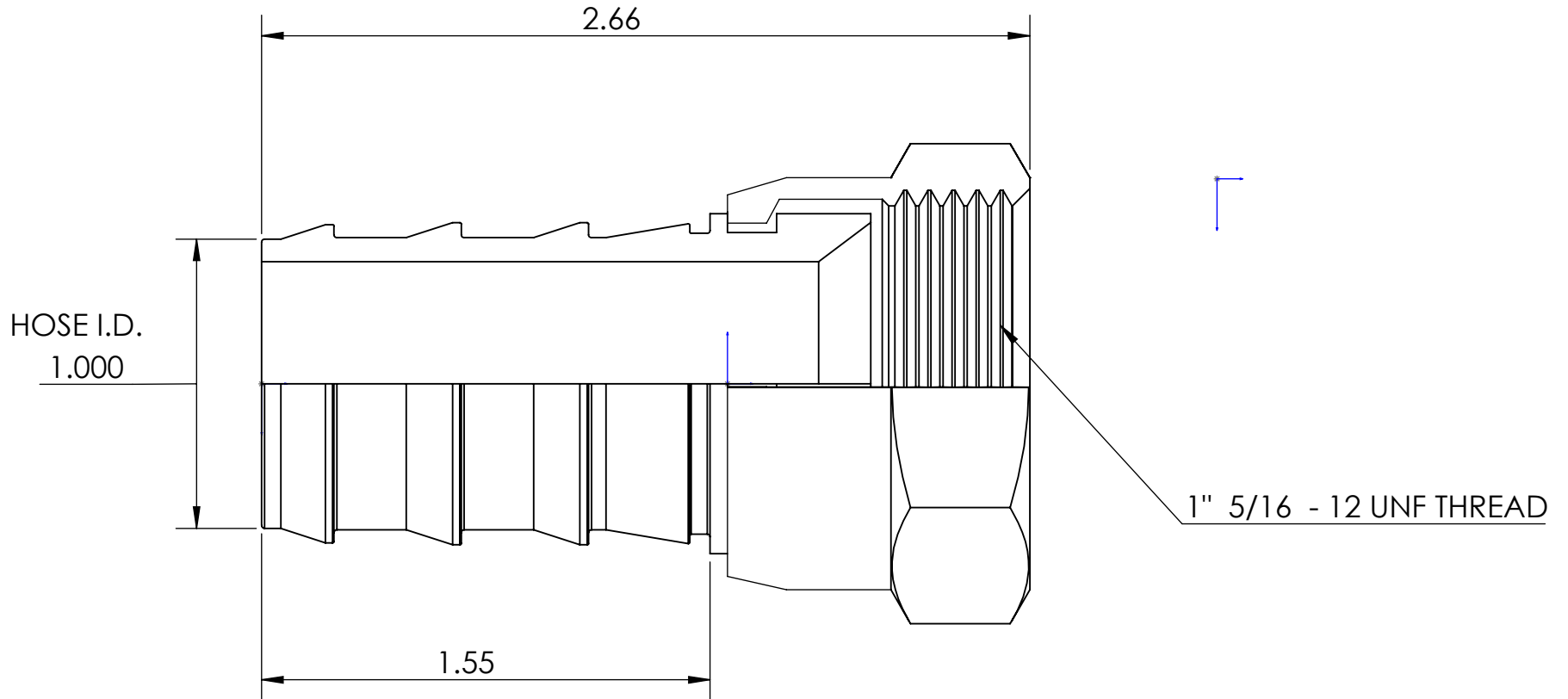


LINE DRAWING NOT FOR PRODUCTION PURPOSES



2881621SS - 303 SS

THIS DRAWING CONTAINS INFORMATION DEEMED PROPRIETARY TO DIXON BRASS AND IS SO TO BE USED ONLY FOR THE PURPOSE FOR WHICH IT IS SUBMITTED, AND FURTHER, SHALL NOT BE COPIED IN WHOLE OR IN PART WITHOUT EXPRESS WRITTEN PERMISSION FIRST OBTAINED FROM DIXON BRASS.			
UNLESS OTHERWISE SPECIFIED:		 <b>Dixon Brass</b> Westmont, Illinois USA	DRAWN P. MONAGHAN 12/28/15
DIMENSIONS ARE IN INCHES TOLERANCES: ANGLES: $\pm 0^{\circ}30'$ .X ( $\pm .015$ ) .XX ( $\pm .010$ ) .XXX ( $\pm .005$ ) DIMENSIONS PER ANSI Y14.5			APPROVED DATE
			ECO NO.
TITLE: 1" FEMALE SWIVEL HOSE BARB		DRAWING NOT REPRODUCED TO SCALE	
		SIZE <b>A</b>	DWG. NO. 2881621C
			REV A