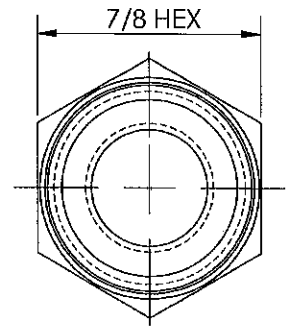
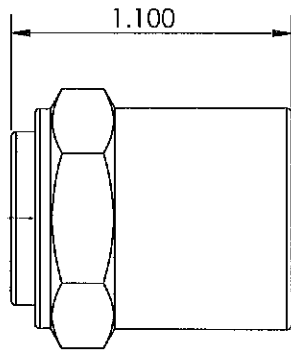
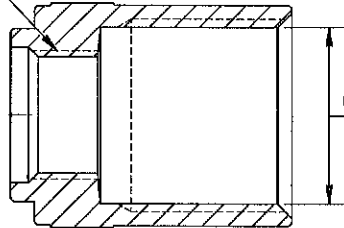


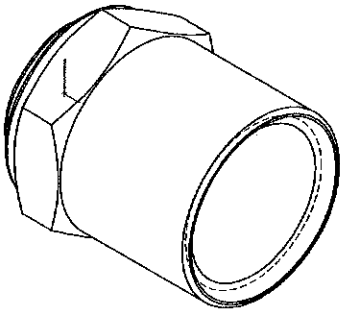
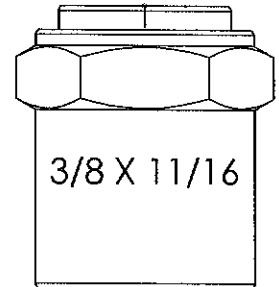
LINE DRAWING NOT FOR PRODUCTION PURPOSES




1/2 -20 UNF-2B  
HOSE I.D. 3/8

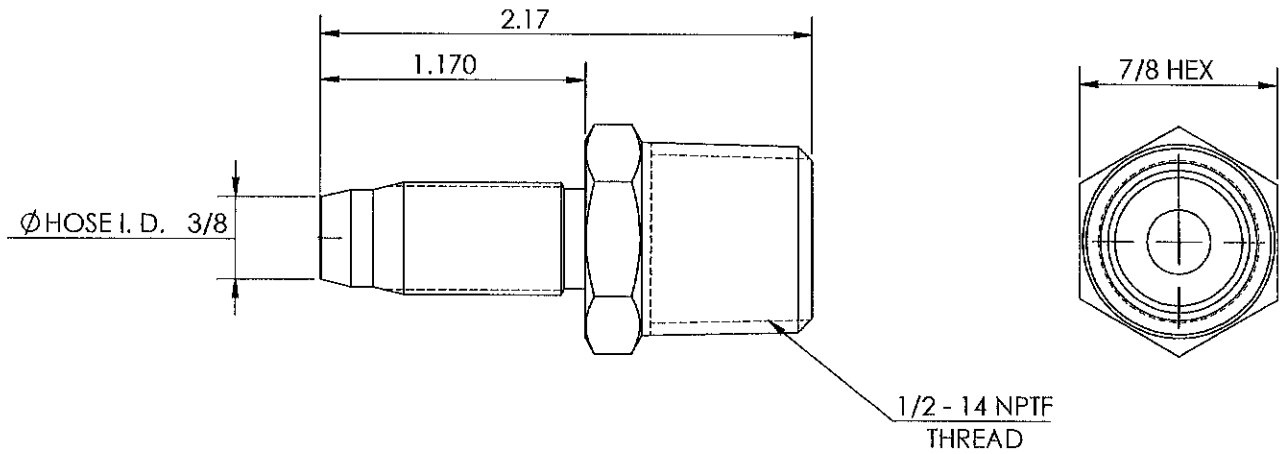


Ø HOSE O.D. 11/16

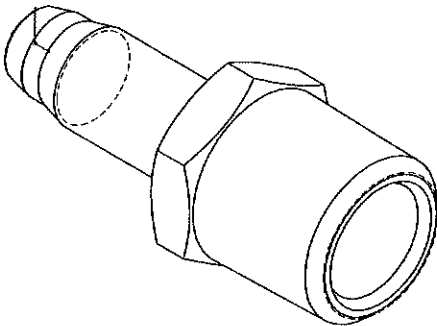
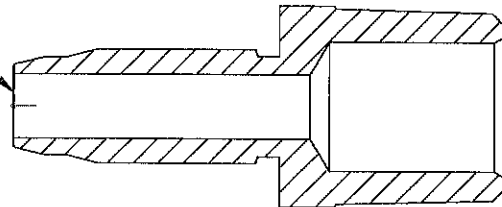



THIS DRAWING CONTAINS INFORMATION DEEMED PROPRIETARY TO DIXON BRASS AND IS TO BE USED ONLY FOR THE PURPOSE FOR WHICH IT IS SUBMITTED, AND FURTHER, SHALL NOT BE COPIED IN WHOLE OR IN PART WITHOUT EXPRESS WRITTEN PERMISSION FIRST OBTAINED FROM DIXON BRASS.			
UNLESS OTHERWISE SPECIFIED:		DRAWN P. MONAGHAN DATE 4/17/15	
DIMENSIONS ARE IN INCHES		APPROVED DATE	
TOLERANCES: ANGLES: ±0°30' .X (±.015) .XX (±.010) .XXX (±.005)		ECO NO.	
DIMENSIONS PER ANSI Y14.5		DRAWING NOT REPRODUCED TO SCALE	
 The Right Connector <sup>SM</sup>		<b>Dixon Brass</b> Westmont, Illinois USA	
TITLE: REUSABLE FERRULE		SIZE <b>A</b>	DWG. NO. 1800611F REV B

LINE DRAWING NOT FOR PRODUCTION PURPOSES



THRU HOLE DIA. .281



THIS DRAWING CONTAINS INFORMATION DEEMED PROPRIETARY TO DIXON BRASS AND IS TO BE USED ONLY FOR THE PURPOSE FOR WHICH IT IS SUBMITTED, AND FURTHER, SHALL NOT BE COPIED IN WHOLE OR IN PART WITHOUT EXPRESS WRITTEN PERMISSION FIRST OBTAINED FROM DIXON BRASS.				
UNLESS OTHERWISE SPECIFIED:		 <b>Dixon Brass</b> Westmont, Illinois USA	DRAWN P. MONAGHAN	DATE 4/28/15
DIMENSIONS ARE IN INCHES			APPROVED	DATE
TOLERANCES: ANGLES: ±0°30' .X (±.015) .XX (±.010) .XXX (±.005)		ECO NO.		
DIMENSIONS PER ANSI Y14.6		DRAWING NOT REPRODUCED TO SCALE		
TITLE: REUSABLE MALE STEM		SIZE <b>A</b>	DWG. NO. 1820608S	REV B