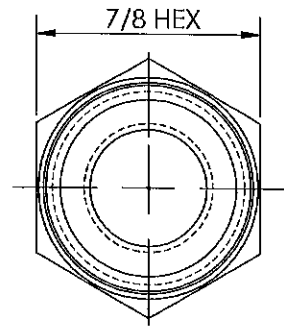
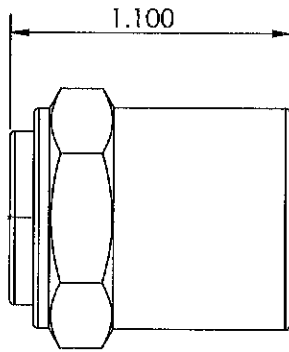
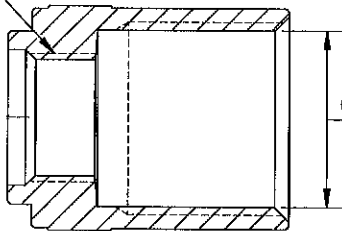


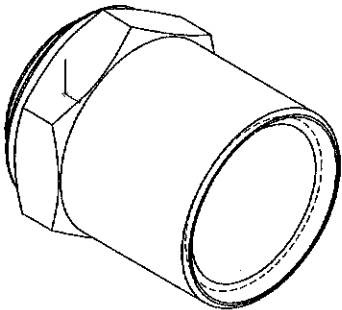
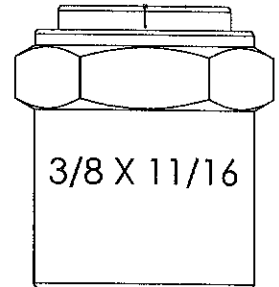
LINE DRAWING NOT FOR PRODUCTION PURPOSES




1/2 -20 UNF-2B
HOSE I.D. 3/8

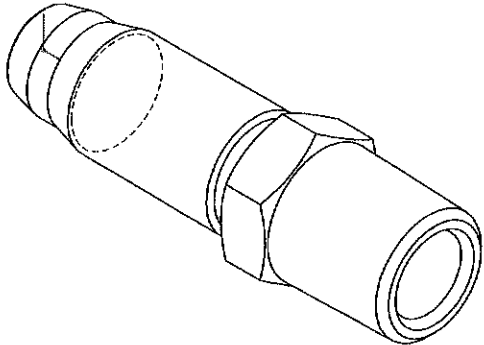
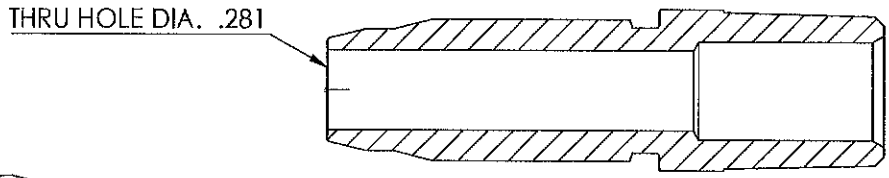
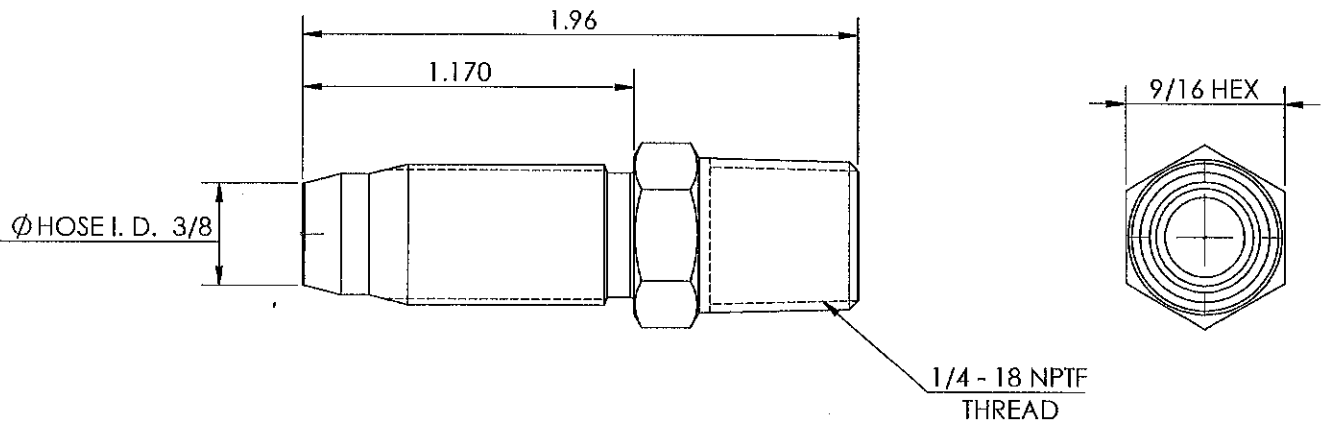


Ø HOSE O.D. 11/16



<small>THIS DRAWING CONTAINS INFORMATION DEEMED PROPRIETARY TO DIXON BRASS AND IS TO BE USED ONLY FOR THE PURPOSE FOR WHICH IT IS SUBMITTED, AND FURTHER, SHALL NOT BE COPIED IN WHOLE OR IN PART WITHOUT EXPRESS WRITTEN PERMISSION FIRST OBTAINED FROM DIXON BRASS.</small>				
<small>UNLESS OTHERWISE SPECIFIED:</small>				
<small>DIMENSIONS ARE IN INCHES</small>		 Dixon Brass Westmont, Illinois USA	<small>DRAWN</small> P. MONAGHAN	<small>DATE</small> 4/17/15
<small>TOLERANCES:</small> ANGLES: ±0°30' .X (±.015) .XX (±.010) .XXX (±.005)			<small>APPROVED</small>	<small>DATE</small>
<small>DIMENSIONS PER ANSI Y14.5</small>		<small>TITLE:</small> REUSABLE FERRULE	<small>DRAWING NOT REPRODUCED TO SCALE</small>	
		<small>SIZE</small> A	<small>DWG. NO.</small> 1800611F	<small>REV</small> B

LINE DRAWING NOT FOR PRODUCTION PURPOSES



THIS DRAWING CONTAINS INFORMATION DEEMED PROPRIETARY TO DIXON BRASS AND IS TO BE USED ONLY FOR THE PURPOSE FOR WHICH IT IS SUBMITTED, AND FURTHER, SHALL NOT BE COPIED IN WHOLE OR IN PART WITHOUT EXPRESS WRITTEN PERMISSION FIRST OBTAINED FROM DIXON BRASS.			
UNLESS OTHERWISE SPECIFIED:		DRAWN P. MONAGHAN	
DIMENSIONS ARE IN INCHES		DATE 4/28/15	
TOLERANCES: ANGLES: $\pm 0^{\circ}30'$ X ($\pm .015$) XX ($\pm .010$) XXX ($\pm .005$)		APPROVED	
DIXON The Right Connection™		DATE	
Dixon Brass Westmont, Illinois USA		ECO NO.	
TITLE: REUSABLE MALE STEM		DRAWING NOT REPRODUCED TO SCALE	
DIMENSIONS PER ANSI Y14.5		SIZE A	DWG. NO. 1820604S
			REV D