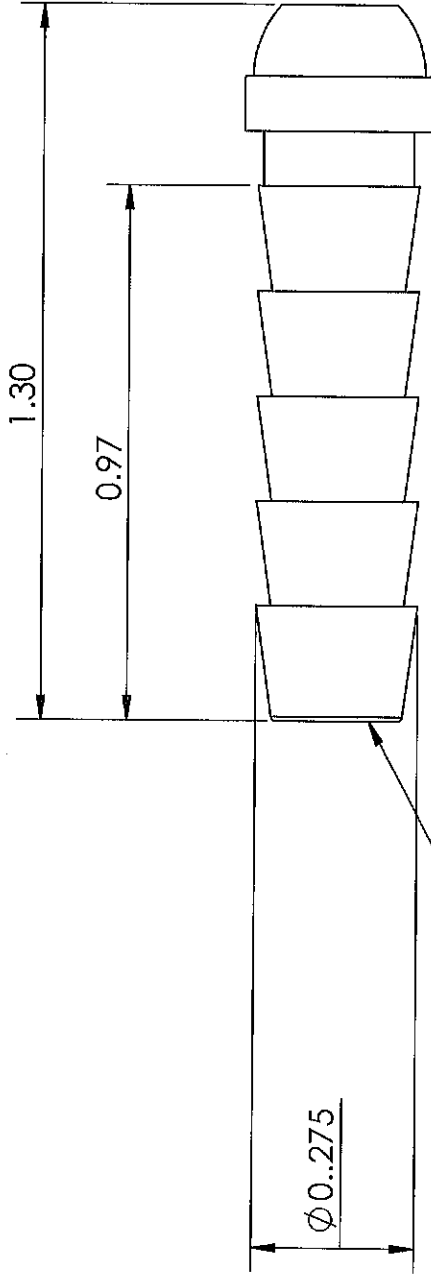
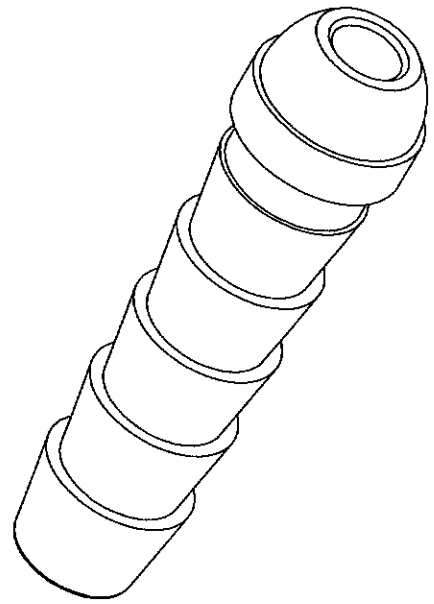


LINE DRAWING NOT FOR PRODUCTION PURPOSES

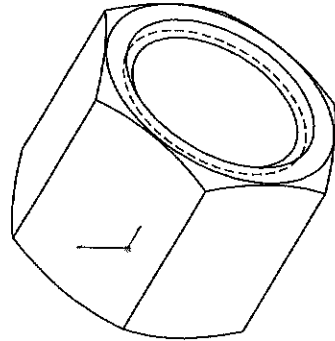
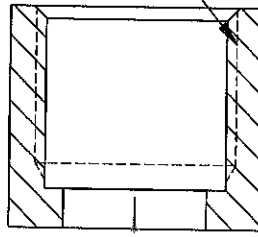
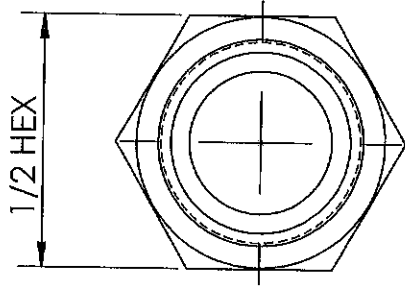
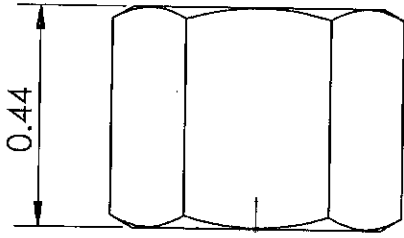


THRU HOLE DIA. .140



THIS DRAWING CONTAINS INFORMATION DEEMED PROPRIETARY TO DIXON BRASS AND IS SO TO BE USED ONLY FOR THE PURPOSE FOR WHICH IT IS SUBMITTED, AND FURTHER, SHALL NOT BE COPIED IN WHOLE OR IN PART WITHOUT EXPRESS WRITTEN PERMISSION FIRST OBTAINED FROM DIXON BRASS.		DRAWN	DATE
UNLESS OTHERWISE SPECIFIED:		P. MONAGHAN	2/27/14
DIMENSIONS ARE IN INCHES		APPROVED	DATE
TOLERANCES:		ECO NO.	
ANGLES: ±30°		DRAWING NOT REPRODUCED TO SCALE	
X (.010)		REV	
XX (.010)		A	
XXX (.005)		1240402S	
DIMENSIONS PER ANSI Y14.5		C	
Dixon Brass Westmont, Illinois USA		TITLE: 1/4 SWIVEL STEM BALL TYPE	

LINE DRAWING NOT FOR PRODUCTION PURPOSES



THIS DRAWING CONTAINS INFORMATION DEEMED PROPRIETARY TO DIXON BRASS AND IS SO TO BE USED ONLY FOR THE PURPOSE FOR WHICH IT IS SUBMITTED, AND FURTHER, SHALL NOT BE COPIED IN WHOLE OR IN PART WITHOUT EXPRESS WRITTEN PERMISSION FIRST OBTAINED FROM DIXON BRASS. UNLESS OTHERWISE SPECIFIED:		DRAWN P. MONAGHAN		DATE 2/27/14	
DIMENSIONS ARE IN INCHES		DIXON The Flight Connection SM		APPROVED	
TOLERANCES: ANGLES: ±0°30'		Dixon Brass Westmont, Illinois USA		ECO NO.	
.XX (±.010)		TITLE: FEMALE SWIVEL NUT 1/8 - 27 NPSM		DRAWING NOT REPRODUCED TO SCALE	
.XXX (±.005)		SIZE A		DWG. NO. 1240202N	
DIMENSIONS PER ANSI Y14.5		REV C			