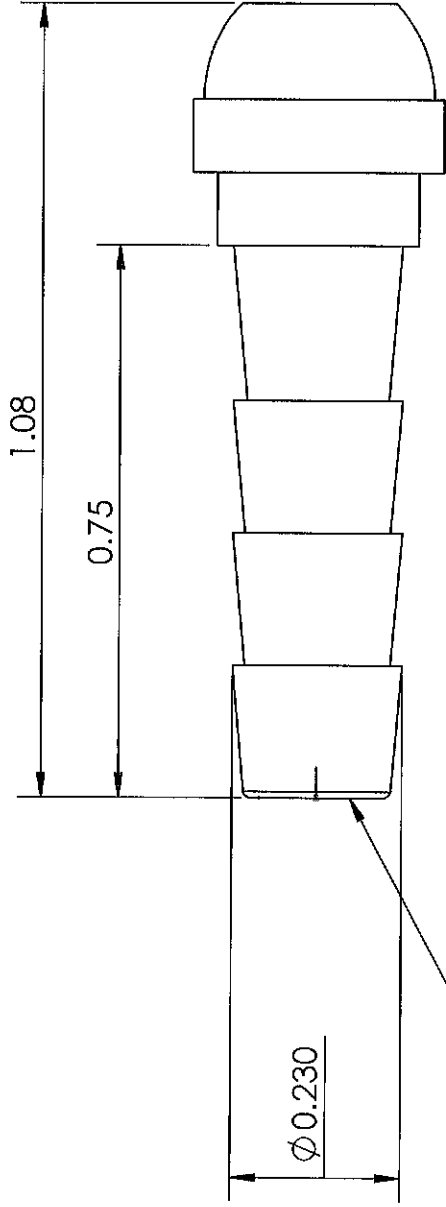
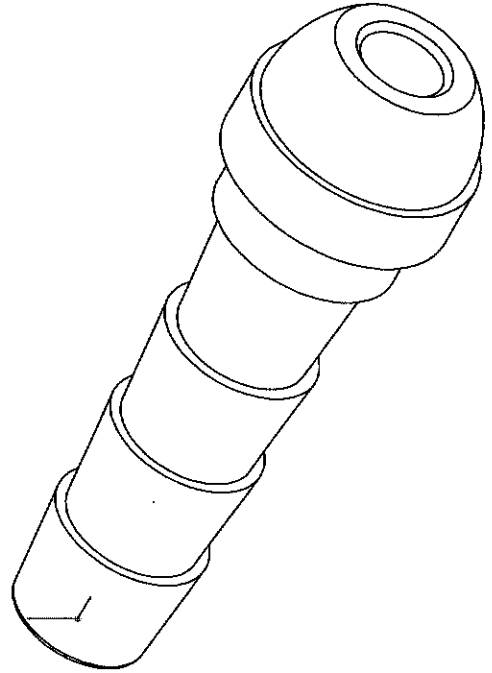


LINE DRAWING NOT FOR PRODUCTION PURPOSES

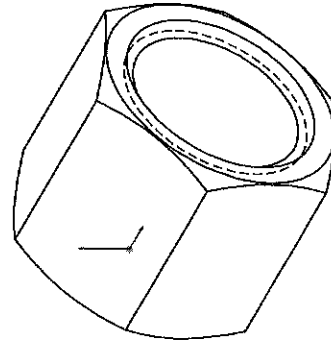
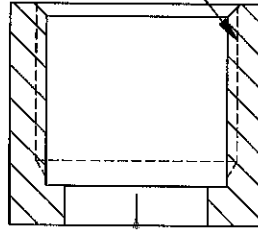
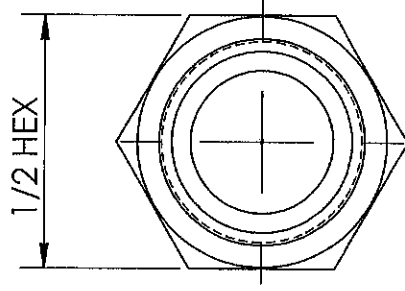
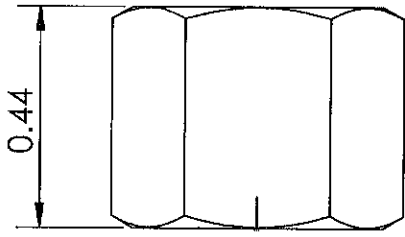


HOLE THRU DIA. .125



THIS DRAWING CONTAINS INFORMATION DEEMED PROPRIETARY TO DIXON BRASS AND IS TO BE USED ONLY FOR THE PURPOSE FOR WHICH IT IS SUBMITTED, AND FURTHER, SHALL NOT BE COPIED IN WHOLE OR IN PART WITHOUT EXPRESS WRITTEN PERMISSION FIRST OBTAINED FROM DIXON BRASS, UNLESS OTHERWISE SPECIFIED:		DRAWN P. MONAGHAN APPROVED		DATE 2/27/14
DIMENSIONS ARE IN INCHES TOLERANCES: ANGLES: $\pm 0^{\circ}30'$ X (.015) XX (.010) XXX (.005)		Dixon Brass Westmont, Illinois USA		ECO NO.
DIMENSIONS PER ANSI Y14.5		TITLE: 3/16 SWIVEL STEM BALL TYPE		DRAWING NOT REPRODUCED TO SCALE
SIZE		DWG. NO. A 1240302S		REV D

LINE DRAWING NOT FOR PRODUCTION PURPOSES



THIS DRAWING CONTAINS INFORMATION DEEMED PROPRIETARY TO DIXON BRASS AND IS TO BE USED ONLY FOR THE PURPOSE FOR WHICH IT IS SUBMITTED, AND FURTHER, SHALL NOT BE COPIED IN WHOLE OR IN PART WITHOUT EXPRESS WRITTEN PERMISSION FIRST OBTAINED FROM DIXON BRASS. UNLESS OTHERWISE SPECIFIED:		DRAWN P. MONAGHAN APPROVED		DATE 2/27/14
DIMENSIONS ARE IN INCHES		Dixon Brass Westmont, Illinois USA		ECO NO.
TOLERANCES:		The Right Connector™		DRAWING NOT REPRODUCED TO SCALE
ANGLES:	±.30°	TITLE:		DWG. NO. 1240202N
.XX	(±.010)	FEMALE SWIVEL NUT		REV C
.XXX	(±.005)	1/8 - 27 NPSM		
DIMENSIONS PER ANSI Y14.5		SIZE A		