

# Pneumatically Actuated 3-Way Stainless Ball Valves - 'T / L' Port

- see page 706 for flow path options
- A flow path needs to be selected at time of order. If no flow path is selected, the option number labeled as default will be shipped.
- Customer verification is critical. If flow path needs to be changed after being shipped, labor and shipping charges will apply.
- for spring return actuators must note fail position



**Features:**

**3-Way Stainless Ball Valve**

- full port
- female NPT ends
- blow-out proof stem
- live-loaded stem packing
- ISO 5211 mounting pad
- 100% air tested under water at **80 PSI**
- working pressure: ¼" to 1": **1000 PSI**; 1¼" to 2": **800 PSI**
- maximum temperature: **300°F**

**Rack and Pinion Actuator**

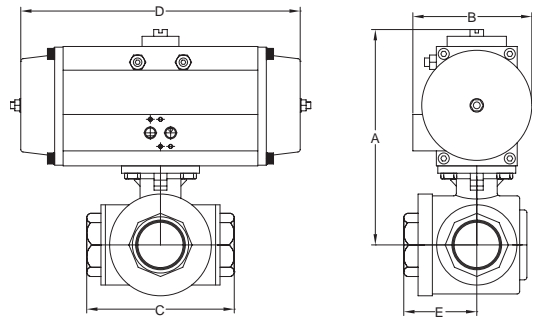
- hard anodized aluminum body
- nickel plated anti-blowout pinion
- Buna-N O-rings
- NAMUR mounting
- bi-directional stops for ±5° travel adjustment
- **80 PSI** plant air required
- visual position indication
- maximum operating pressure: **120 PSI**
- temperature range: **-40°F to 200°F**
- tested to one million cycles

## Spring Return (normally closed)

All dimensions are given in inches, unless noted. Dimensions are approximate. Engineering dimensions are available upon request. Specifications are subject to change without notice.

- \* T = t-style
- \* L = l-style

Size	Dimensions					316 Stainless Steel	
	A	B	C	D	E	Part #	Price/E
¼"	5.35	3.20	2.83	7.10	1.41	<b>BV3IG*F-0251BBC</b>	<b>\$852.00</b>
⅜"	5.35	3.20	2.83	7.10	1.41	<b>BV3IG*F-0381BBC</b>	<b>852.00</b>
½"	5.55	3.20	3.26	7.10	1.63	<b>BV3IG*F-0501BBC</b>	<b>852.00</b>
¾"	6.30	3.74	3.89	7.45	1.94	<b>BV3IG*F-0751BBC</b>	<b>1039.40</b>
1"	6.83	3.74	4.40	7.45	2.20	<b>BV3IG*F-1001BBC</b>	<b>1182.65</b>
1¼"	7.13	3.74	4.92	7.45	2.46	<b>BV3IG*F-1251BBC</b>	<b>1612.00</b>
1½"	8.43	4.69	5.86	9.10	2.93	<b>BV3IG*F-1501BBC</b>	<b>1918.55</b>
2"	9.97	5.53	6.85	12.99	3.42	<b>BV3IG*F-2001BBC</b>	<b>3011.55</b>

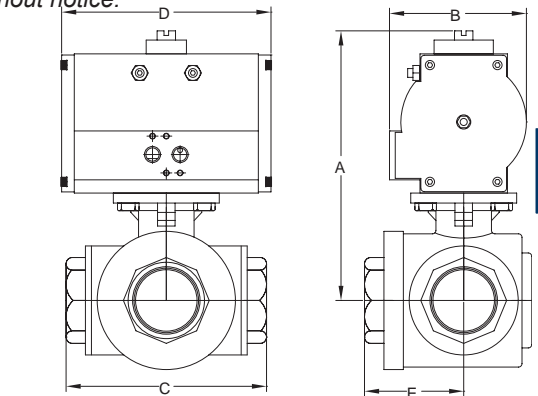


## Double Acting

Dimensions are approximate. Engineering dimensions are available upon request. Specifications are subject to change without notice.

- \* T = t-style
- \* L = l-style

Size	Dimensions					316 Stainless Steel	
	A	B	C	D	E	Part #	Price/E
⅜"	5.35	3.20	2.83	7.10	1.41	<b>BV3IG*F-0381BCC</b>	<b>\$753.10</b>
½"	5.55	3.20	3.26	7.10	1.63	<b>BV3IG*F-0501BCC</b>	<b>753.10</b>
¾"	6.30	3.74	3.89	7.45	1.94	<b>BV3IG*F-0751BCC</b>	<b>855.00</b>
1"	6.83	3.74	4.40	7.45	2.20	<b>BV3IG*F-1001BCC</b>	<b>1059.85</b>
1¼"	7.13	3.74	4.92	7.45	2.46	<b>BV3IG*F-1251BCC</b>	<b>1479.00</b>
1½"	8.43	4.69	5.86	9.10	2.93	<b>BV3IG*F-1501BCC</b>	<b>1785.60</b>
2"	9.97	5.53	6.85	12.99	3.42	<b>BV3IG*F-2001BCC</b>	<b>2580.75</b>



A wide variety of switches, solenoids, positioners, etc., are available. Contact Dixon™ at 800.789.1718 or visit [dixonvalve.com](http://dixonvalve.com) for details.



**Caution !**

Even though there are torque safety factors built into our automated ball valve packages, actual service conditions must also be considered when selecting the proper product for the appropriate application.

For example: Severe service conditions such as dirty water, dirty air, all slurries, raw sewage water, oils, and other viscous fluids can have a dramatic affect in raising the torque requirements of ball valves as much as 75% and therefore larger actuators may be required. Please consult Dixon™ when dealing with these types of applications.

