



The Right Connection®

**Data Sheet**

# Pressure Restricting Angle Valves with Breakable Link

Pressure restricting valves are used when flowing water pressure needs to be controlled. They are angle valves with preset orifices which restrict the volume of water and thereby lower the pressure of the flowing water.

**AVAPR150****AVAPR250**

cast finish shown

**Female NPT inlet x Male \***

- female inlet NPT only
- male outlet - specify male thread \*
- aluminum handwheel
- restricts only under flow conditions
- for use up to 175 PSI
- alloy=C84400, C83600, C36000
- manufactured in the USA

available finish:

- cast (standard)
- polished - P
- chrome - C



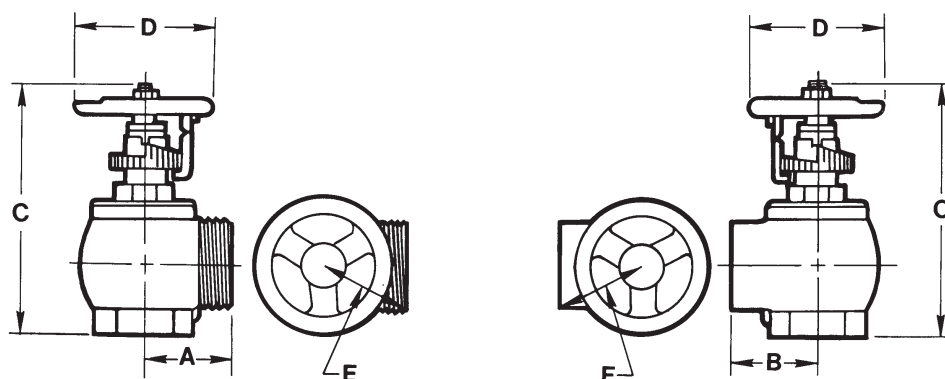
cast finish shown

**AVAPRF150****AVAPRF250****Double Female**

- inlet and outlet NPT only
- restricts under flow conditions only
- aluminum handwheel
- for use up to 175 PSI
- alloy=C84400, C83600, C36000
- manufactured in the USA

available finish:

- cast (standard)
- polished - P
- chrome - C

**Dimensions**

Size	Style	A	B	C (closed)	C (open)	D	E	F	Wt. in Lbs.
1½"	18-153 -154	2-7/32"	2-11/64"	6-13/16"	7-27/32"	3-3/4"	2-7/16"	2-13/32"	5
2½"	18-153 -154	3-7/32"	3-3/16"	9-17/32"	11-3/8"	5"	3-19/32"	3-17/32"	12

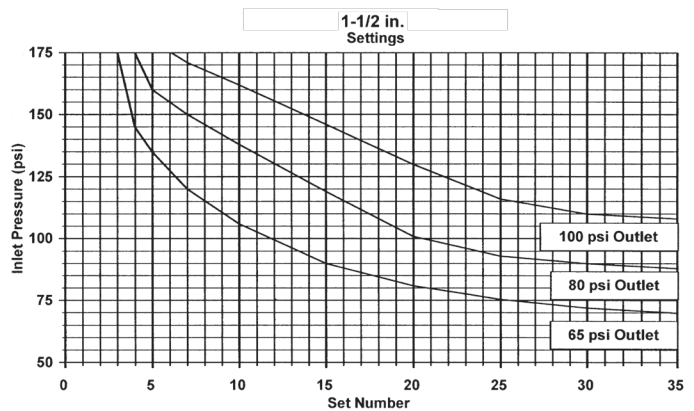
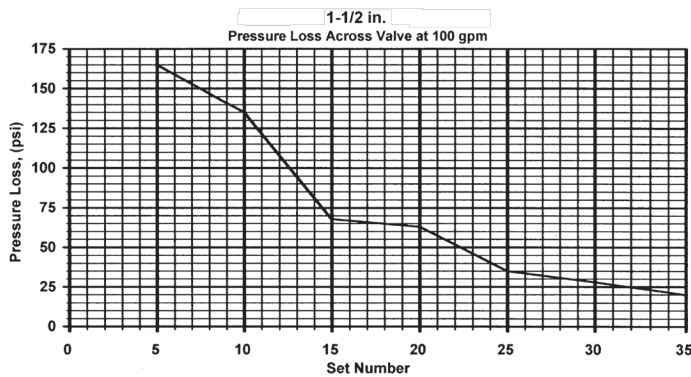
# Technical Information

## Pressure Restricting Valves

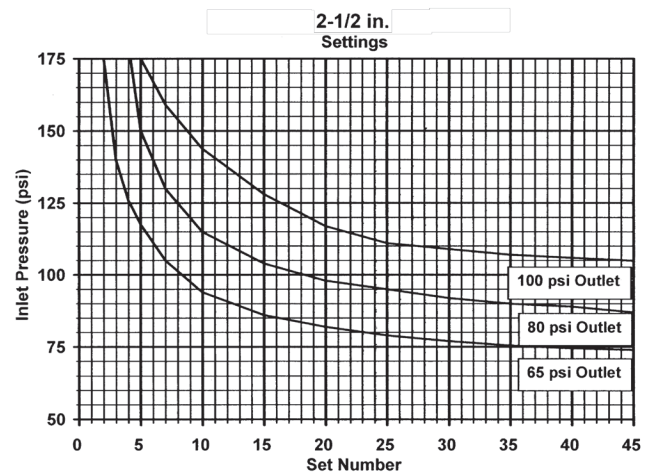
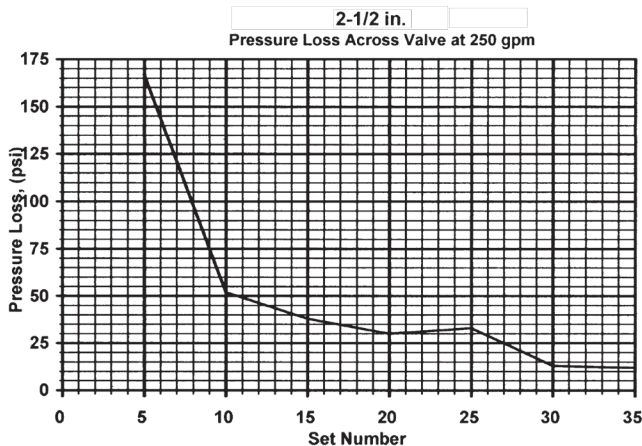
- Underwriters Listed and New York City Board of Standards and Appeals approval # MEA 54-07-E
- Restricts inlet pressure from 70 PSI (483 kPa) up to a maximum of 175 PSI (1207 kPa), down to an outlet pressure of 65, 80 or 100 PSI (448, 552 or 690 kPa).
- Outlet pressures may be set below 65 PSI (448 kPa) when authorized by the local authority having jurisdiction.
- NFPA requires restricting valves where the inlet pressure exceeds 100 PSI. Unlike the pressure regulating type of valve, the restricting valve has no effect on the static pressure of a system.
- The restricting device can be manually by-passed if required by opening the valve fully. This is accomplished by breaking the "breakable link", which allows the valve stem to rise to the full open position.
- The breakable link also serves as a simple indication of the valve condition and status. If the valve is opened without breaking the link, the valve will resume its previous position and no resetting is necessary.

## Pressure and Settings Charts

This graph is based on using 75' of 1½" rubber lined hose and a ½" discharge nozzle to obtain outlet pressures of 65, 80 or 100 PSI.



This graph is based on using 50' of 2½" rubber lined hose and a 1-1/8" discharge nozzle to obtain outlet pressures of 65, 80 or 100 PSI.



This information is only a general guideline. The company reserves the right to change any portion of this information without notice. Terms and conditions of sale apply and are available on request.

## Dixon Fire

ph: 410.778.2008 • 877.712.6179

fx: 410.778.4702 • 800.283.4966

[dixonvalve.com](http://dixonvalve.com)